



Deptt.: **MKT**

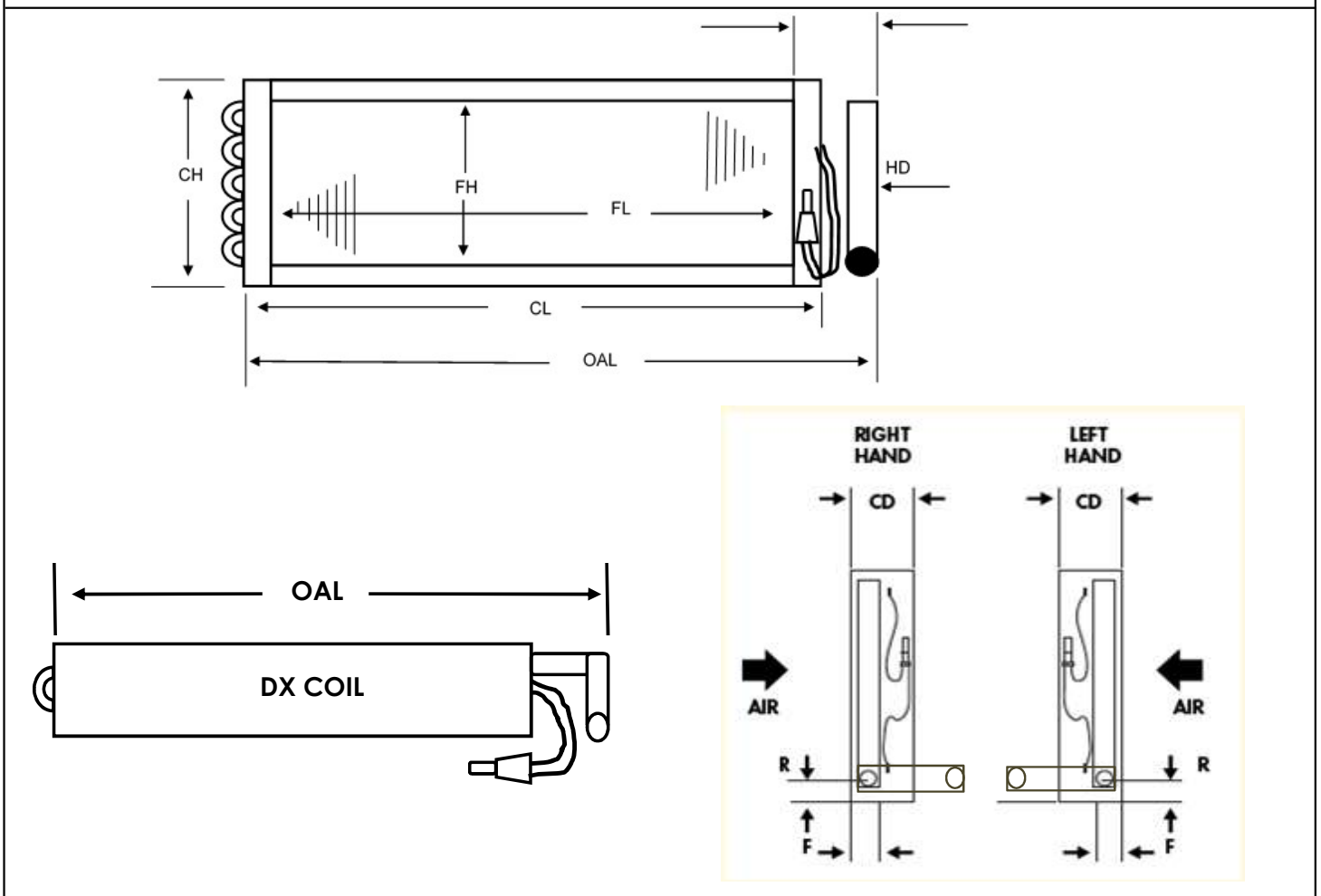
## Coil Inquiry Form

Customer _____	Date: _____
Tel: _____	Quantity: _____
Email: _____	Contact Person: _____

### Coil Construction

<b>Copper Tube</b>	Type	Plain/Inner Groove	Misc	
	Dia	3/8" - 1/2" - 5/8"		
	Gauge	_____	Remarks (if any)	
	Tubes/Row	_____		
Circuits (#)	_____			

### Straight / Taper / V-Shape



#### Dimensional Data in Inches

Fins / Inch	FH	FL	Rows	CH	CL	CD	OAL	HD		